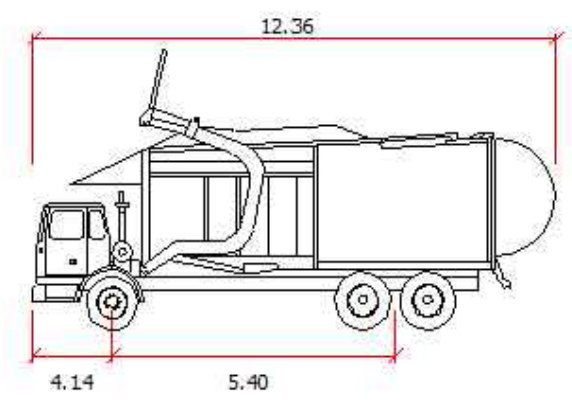



VEHICLE USED:  
FRONT LOADER



Front Loading Collection truck  
GARBAGE AND RECYCLING VANCOUVER 2016 (CA)

Front Loading Collection truck  
GARBAGE AND RECYCLING VANCOUVER 2016 (CA)

CLIENT <b>REGION OF WATERLOO</b>	PROJECT NAME <b>581 - 595 LANGS DRIVE</b>		 <b>IBI GROUP</b> Suite 101 - 410 Albert Street Waterloo ON N2L 3V3 Canada tel 519 585 2255 ibigroup.com	
	CITY OF CAMBRIDGE			
SCALE: <b>1 : 500</b>	DATE: <b>2022-05-30</b>	FIGURE NAME <b>TRUCK MOVEMENT PLAN</b>	FIGURE NO. <b>TM01</b>	REVISION <b>02</b>
PROJECT MGR: <b>D.G.</b>	DRAWN BY: <b>D.G.</b>			
CHECKED BY: <b>C.T.</b>	APPROVED BY: <b>Y.L.</b>			
PROJECT NO: <b>136133</b>				

File Location: J:\136133\_RevW\_LangsDriv\_0\_Production\17\_03\_Design\17\_Planning\Content\136133\_TruckMvmt.dwg Last Saved: May 30, 2022, by emma.tilley Plotted: Tuesday, May 31, 2022 09:17:58 by Emma Tilley  
 SCALE CHECK  
 1 in  
 10mm